

Wels, December 2<sup>nd</sup> 2014

## MAINS PROTECTION SCHEME FRONIUS SYMO US

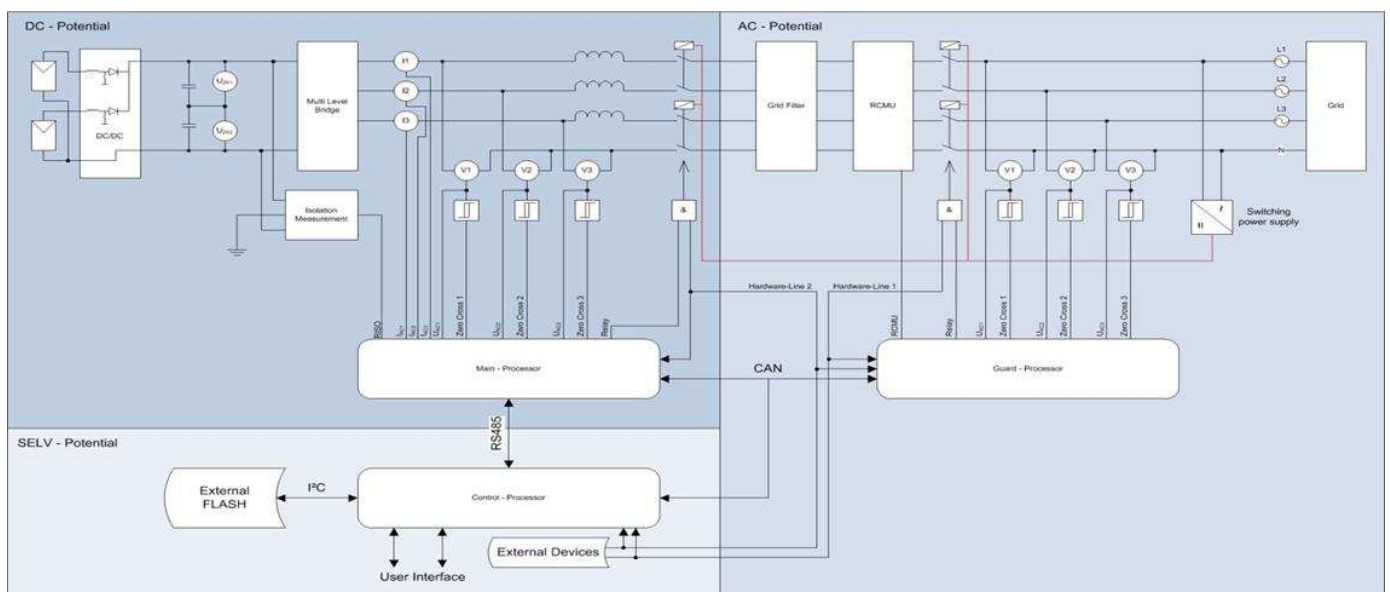
Fronius International GmbH

The inverters

Fronius Symo 10.0-3 208-240 up to Fronius Symo 12.0-3 208-240

Fronius Symo 10.0-3 480 up to Fronius Symo 24.0-3 480

have the following protection scheme. The grid monitoring and disconnection unit within the inverter is single failure safe. Measurement and calculation is redundantly executed (two measurement circuits, two processors). Self-monitoring is performed. The inverter trips if there is a deviation between the two processors.

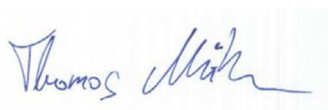


Fronius International GmbH

Solar Energy Division

Froniusplatz 1

A-4600 Wels



DI Thomas Mühlberger

Head of Solution Management